



# MULTIVERT I-XTENSIO

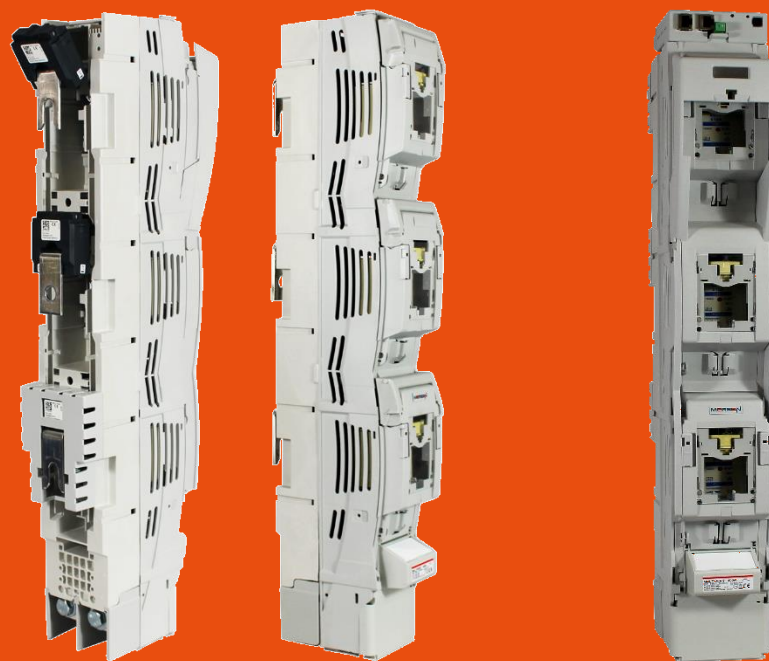
IoT-READY FUSE SWITCH DISCONNECTOR

*SAFE OUTSIDE, SMART INSIDE*

Launch Presentation

27/04/2021 – C.Lavenas

MERSEN



# Contents

---

- **MERSEN NH FUSE SYSTEM OVERVIEW, MARKETS & APPLICATIONS**
- **OUR NEW CONCEPT → MULTIVERT I-XTENSIO**
  - All-system compatibility
  - Ready for IoT
- **PRODUCT OFFER SCOPE**
- **COMMUNICATION TOOLS & AVAILABILITY**

# Mersen is now the only integrated manufacturer of NH Fuse-links & NH Fuse Switch Disconnectors

The diagram illustrates the NH System product line, which includes:

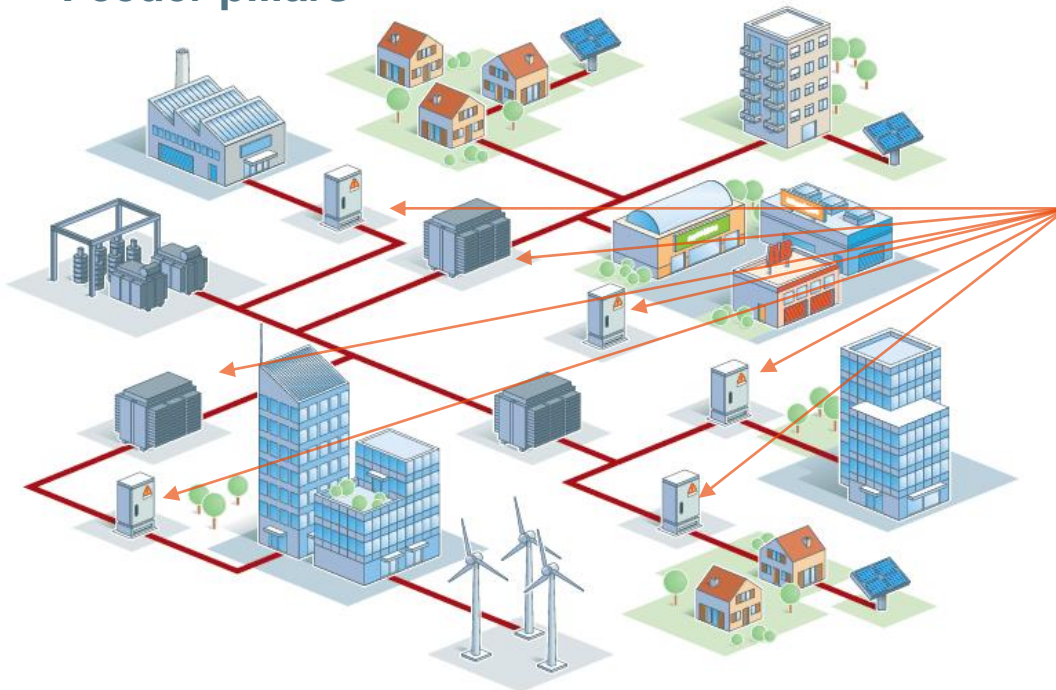
- Multivert<sup>®</sup>
- Multibloc<sup>®</sup>
- Multifix 60/100<sup>®</sup>
- Accessories
- NH Fuses
- Fuse holders

Surrounding the diagram are various product images, including:

- A vertical stack of switchgear units.
- A horizontal rack of switchgear units.
- A row of cylindrical fuses.
- A collection of electrical components like terminals and busbars.
- Several fuse holders and disconnectors.

# Mersen NH Fuse system Solutions bring intelligence and data from Low Voltage side of Networks

- **ELECTRICAL UTILITY DISTRIBUTION NETWORK**  
**PROTECT- DISCONNECT - SWITCH - MONITOR**
  - Medium voltage Transformer substation
  - Low voltage Public Distribution cabinet / Feeder pillars



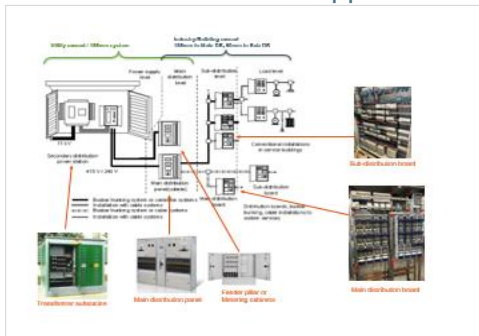
# NH Fuse System - Applications & Markets

## APPLICATIONS / MARKET

- Segmentation
- Key applications

		Utility (LV Network), Municipality	Building (Commercial, Hospitals), Infrastructures (Ports, Airports, Street lighting, Highways, fairs, markets) Construction	Heavy industry, Process industry	Process line manufacturer, Machine builder	
		Energy	Construction	Industry	Machine Builder/OEM	Multivert®
Power Distribution	Transformation Sub-Stations	X				Using more Busbar systems for Power distribution
	Public Distribution Cabinet (Feeder pillar for street, residential, building, temporary)	X	X			
	General switchboard		X	X		
	Division switchboard		X	X		
Industrial Control	Motor control (Process, HVAC,...)		X	X	X	Using more Panel mounting solutions
	Speed drives		X	X	X	
	Power quality			X	X	
	Machine control			X	X	

### Power Distribution application :



### Motor Protection application :



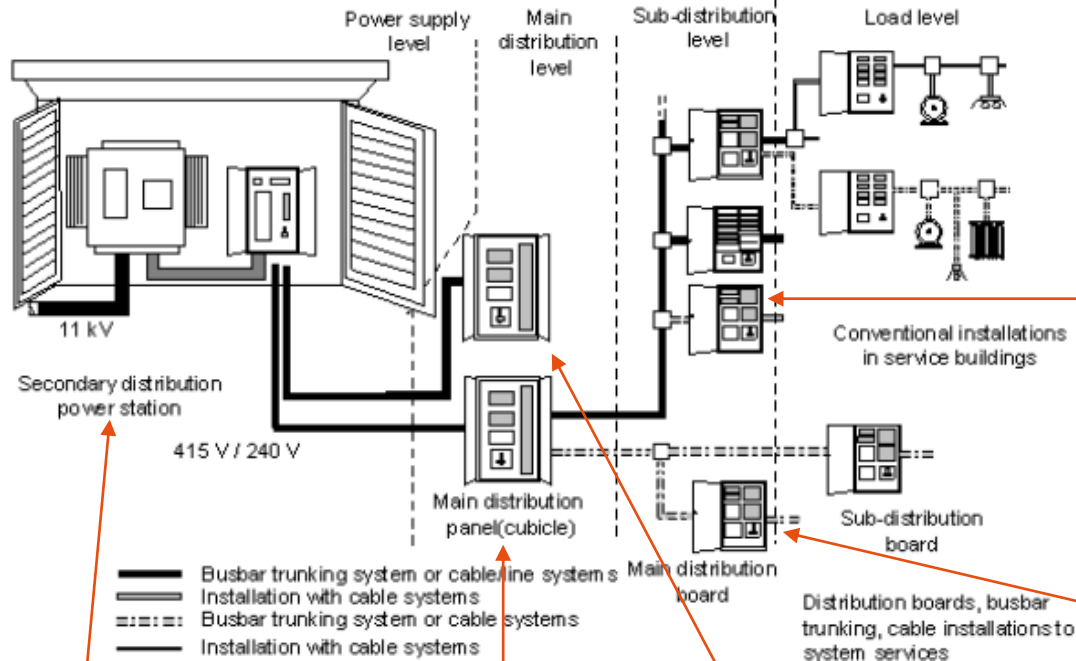
- Other applications:
  - Photovoltaic
  - Power quality



Multibloc®

Utility owned / 185mm system

Industry/Building owned  
185mm in Main DB, 60mm in Sub-DB



Sub-distribution board



Main distribution board



Transformer substation



Main distribution panel



Feeder pillar or  
Metering cabinets

Conventional installations  
in service buildings

Distribution boards, busbar  
trunking, cable installations to  
system services

# Contents

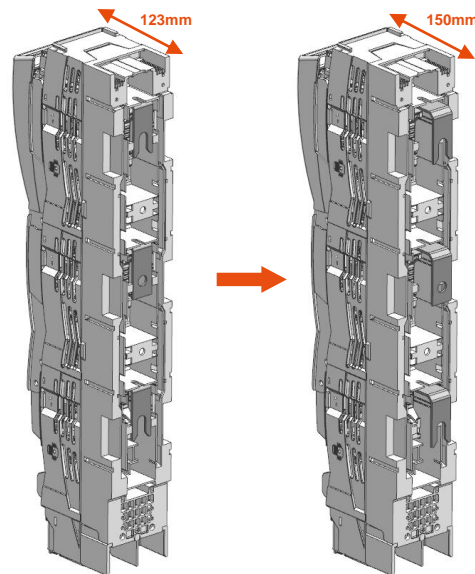
---

- MERSEN NH FUSE SYSTEM OVERVIEW, MARKETS & APPLICATIONS
- **OUR NEW CONCEPT → MULTIVERT I-XTENSIO**
  - All-system compatibility
  - Ready for IoT
- PRODUCT OFFER SCOPE
- COMMUNICATION TOOLS & AVAILABILITY

# Our new solution to answer needs for better compatibility and connectivity → Multivert i-Xtensio

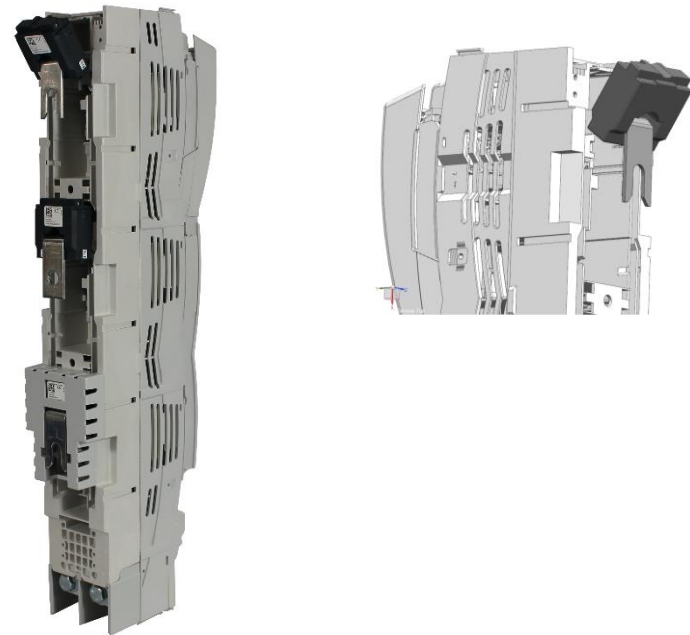
## ■ TECHNICAL SOLUTION

- Increase the depth of our Multivert (extension of the busbars connections) to enable the easy installation of current transformers at the customer
- At the same time, this depth extension enables to reach the same standard market dimensions (installation depth of 150mm)



Existing design → Less deep in the market / Space-saving design

Alternative design → CT mounting possibility & Market standard depth



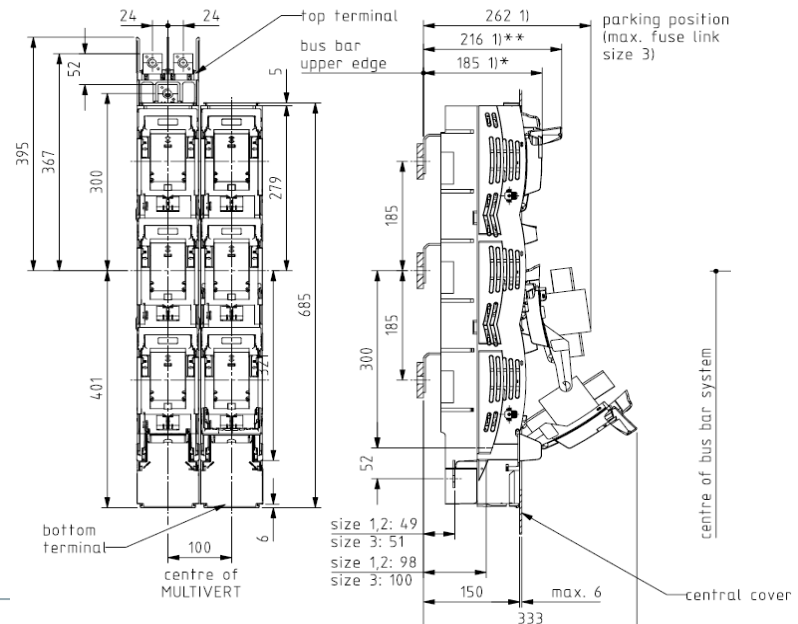
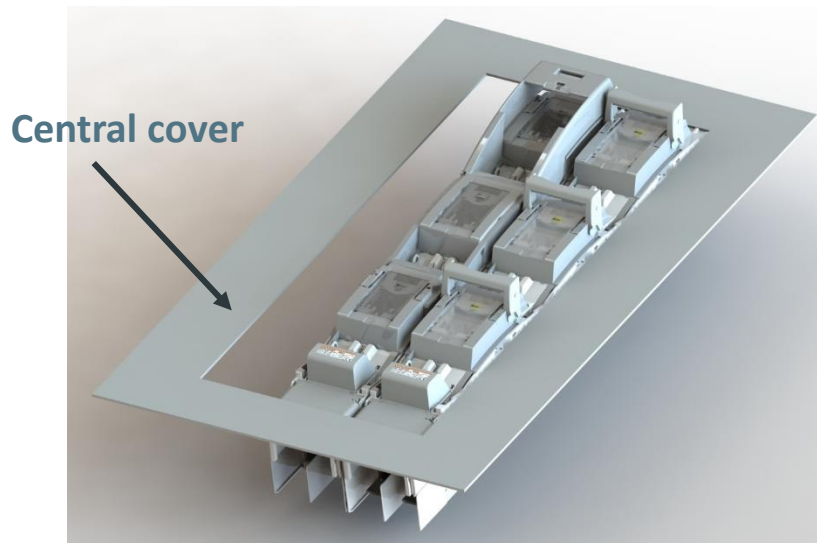
- Fully type-tested solution and compliant with standard IEC 60947-3



# Multivert i-Xtensio – Key Benefits

## ■ ALL-SYSTEM COMPATIBILITY WITH 2 DESIGNS AVAILABLE

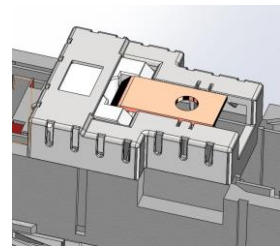
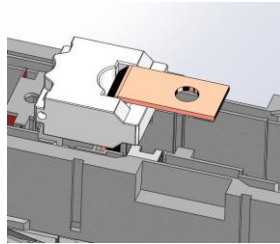
- Multivert existing design for **smaller dimensions and space-saving advantages** for Compact Cable Distribution cabinets when Central Cover can be positioned without constraint
- **Multivert i-Xtensio for standard market footprint dimensions and compatibility** with all installation systems (Rittal, ABB Striebel und John, Siemens, Schneider Electric, Driescher, Logstrup...) → no need for adaptation from Panel builders to integrate Mersen products



# Multivert i-Xtensio key benefits

## ■ READY FOR IOT

- Easy to install Current Transformers on customer side
- Complete new offer of Current Transformers available
- Touch protection IP20 on sides is maintained using the CT cover solution



*Customer can install  
3x CT cover to  
maintain the CTs and  
to increase the  
Touch Protection*



*First step towards the future and  
more connected Multivert !!!*

→ **This New Multivert i-Xtensio**  
will be the **best solution** fully  
adapted to our future  
**Smart Modbus Monitoring**  
**Modules**

(released in Q3 2021)

# New Multivert i-Xtensio

## Key benefits summary

- **2 DESIGNS AVAILABLE FOR ALL-SYSTEM COMPATIBILITY**
  - Multivert existing design for **space-saving advantages and compact Cable Distribution cabinets**
  - **Multivert i-Xtensio for standard market footprint dimensions and compatibility** with all installation systems
- **READY FOR IoT**
  - **Easy to install** Current Transformers on customer side
  - **Fully compatible** and adapted to our future Smart Modbus Monitoring Modules



# Contents

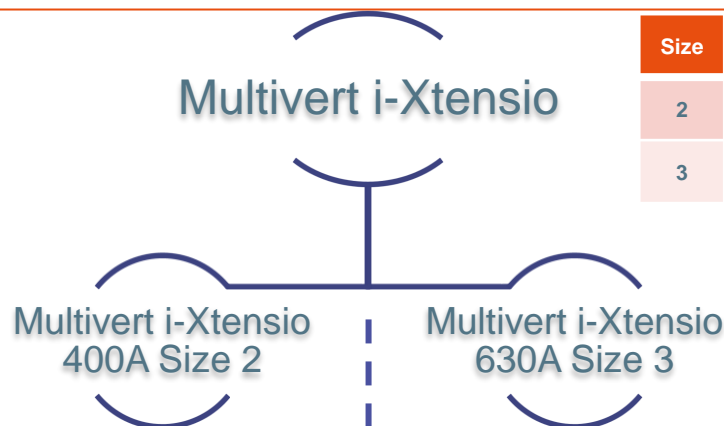
---

- **MERSEN NH FUSE SYSTEM OVERVIEW, MARKETS & APPLICATIONS**
- **OUR NEW CONCEPT → MULTIVERT I-XTENSIO**
  - All-system compatibility
  - Ready for IoT
- **PRODUCT OFFER SCOPE**
- **COMMUNICATION TOOLS & AVAILABILITY**

# Product offer scope overview

## Technical data of i-Xtensio:

→ Exact same technical characteristics as the existing Multivert, except the dimensions



Size	For NH Fuses	Rating	Switching type	Terminal connections
2	NH1 & NH2	400A	3x1 or 1x3	Bolts, Insert nuts or V-terminals
3	NH3	630A	3x1 or 1x3	Bolts, Insert nuts or V-terminals

JDE Reference	Catalog Number	Description
P1200130	7.200.000	Multivert i-Xtensio Size 2, 3x1P, bolts
Q1200131	7.210.000	Multivert i-Xtensio Size 2, 3x1P, insert nuts
R1200132	7.220.000	Multivert i-Xtensio Size 2, 3x1P, V-terminals
S1200133	7.250.000	Multivert i-Xtensio Size 2, 1x3P, bolts
T1200134	7.260.000	Multivert i-Xtensio Size 2, 1x3P, insert nuts
W1200136	7.270.000	Multivert i-Xtensio Size 2, 1x3P, V-terminals

JDE Reference	Catalog Number	Description
X1200137	7.300.000	Multivert i-Xtensio Size 3, 3x1P, bolts
Y1200138	7.310.000	Multivert i-Xtensio Size 3, 3x1P, insert nuts
Z1200139	7.320.000	Multivert i-Xtensio Size 3, 3x1P, V-terminals
A1200140	7.350.000	Multivert i-Xtensio Size 3, 1x3P, bolts
B1200141	7.360.000	Multivert i-Xtensio Size 3, 1x3P, insert nuts
C1200142	7.370.000	Multivert i-Xtensio Size 3, 1x3P, V-terminals



Common accessories	JDE Reference	Catalog Number	Description
CT Wiring kit	W1200182	1.005.116	Wiring set for 3 CTs on Multivert i-Xtensio Size 2/3
CT Cover	X1200183	1.005.085	Touch Protection Cover to maintain the CTs in position - set of 3pcs
Current Transformers for i-Xtensio	Y1200184	1.005.087	3xCTs 250/5A, 5VA, class 1, for Multivert i-Xtensio Size 2/3
	Z1200185	1.005.088	3xCTs 400/5A, 5VA, class 1, for Multivert i-Xtensio Size 2/3
	A1200186	1.005.089	3xCTs 600/5A, 5VA, class 1, for Multivert i-Xtensio Size 2/3
Accessories for installation of Multivert 00 in combination with Multivert i-Xtensio	D1200143	1.005.081	Double adapter 100/185 mm for uniform installation depth in combined installation with MULTIVERT® i-Xtensio 400 A, 630 A
	TBD	TBD	Set of adjustment cover parts, with integrated area for labeling to adapt to MULTIVERT® footprint height for 185 mm bus bar system



# Product offer scope overview

## Cross-ref table → Standard design vs i-Xtensio design

### Technical data of i-Xtensio design:

→ Exact same technical characteristics as the existing Multivert, except the Depths dimensions

Type	Cable terminations	Standard design		i-Xtensio design	
		Catalog Nb	JDE Reference	Catalog Nb	JDE Reference
MV 400A 3x1P	Bolts	1.200.000	J1002187	7.200.000	P1200130
	Insert Nuts	1.210.000	Z1023200	7.210.000	Q1200131
	V-terminals	1.220.000	A1023201	7.220.000	R1200132
MV 400A 1x3P	Bolts	1.250.000	M1002190	7.250.000	S1200133
	Insert Nuts	1.260.000	G1023207	7.260.000	T1200134
	V-terminals	1.270.000	H1023208	7.270.000	W1200136
MV 630A 3x1P	Bolts	1.300.000	K1002188	7.300.000	X1200137
	Insert Nuts	1.310.000	W1023220	7.310.000	Y1200138
	V-terminals	1.320.000	X1023221	7.320.000	Z1200139
MV 630A 1x3P	Bolts	1.350.000	N1002191	7.350.000	A1200140
	Insert Nuts	1.360.000	C1023249	7.360.000	B1200141
	V-terminals	1.370.000	D1023250	7.370.000	C1200142

# Contents

- MERSEN NH FUSE SYSTEM OVERVIEW, MARKETS & APPLICATIONS
- MARKET FEEDBACKS REGARDING OUR EXISTING MULTIVERT RANGE
- OUR NEW CONCEPT → MULTIVERT I-XTENSIO
  - All-system compatibility
  - Ready for IoT
- COMPETITION OVERVIEW
- PRODUCT OFFER SCOPE
- COMMUNICATION TOOLS & AVAILABILITY

# Communication Tools & Availability

## ■ ALL PRODUCT DATA IS NOW AVAILABLE ON MERSEN WEBSITE [HERE](#)

- Product Datasheet (English/German)
- CE/ROHS/REACH declarations

## ■ COMMUNICATION MATERIALS:

- Multivert i-Xtensio Flyer (English/German)
- Multivert i-Xtensio introduction video – will be available in April/May
- Panel Builder Brochure (update in End of April)
- NH Fuse Switch Disconnectors Brochure (update in May)

## ■ AVAILABILITY

- Samples on request through Local Sales contact





# Q&A

■ THANKS FOR YOUR ATTENTION !

## NH FUSE SWITCH DISCONNECTORS i-Xtensio

NEW DESIGN FOR EASY CONNECTION.  
INSTALL IT, MEASURE IT, ANALYZE IT.

i-Xtensio READY FOR IOT

